



UV-SVP

Sound Velocity, Temperature, Pressure, Salinity & Density for an Underwater Vehicle

The UV-SVP offers a form-factor designed for Underwater Vehicles where space is at a premium. Incorporating Valeport's class leading time of flight sound speed sensor, a PRT temperature sensor and a 0.01% pressure sensor in a compact package weighing just 750 grams (in air), the lightweight titanium housing gives a depth rating of 3000m.

A wide range (9-30V DC) isolated power supply and RS232/RS485 communications complete the package.

DATA SHEET

Product Details



MULTI-PARAMETER
CTD



SOUND
SPEED



DASH
FORMULA



VALEPORT TERMINAL
SOFTWARE

TAE KWANG ELECTRONICS CORPORATION
5TH FLR., K-BLDG., 3, SANGAM-RO 41GIL,
GANGDONG-GU, SEOUL 05307, KOREA

PHONE : 02 479 2703
FAX : 02 479 2705
e-mail : taekwang@tkec.co.kr
Website: www.tkec.co.kr



Sensors

Sound Velocity

Each sound velocity measurement is made using a single pulse of sound traveling over a known distance, so is independent of the inherent calculation errors present in all CTDs. Our unique digital signal processing technique virtually eliminates signal noise, and gives an almost instantaneous response; the digital measurement is also entirely linear, giving predictable performance under all conditions.

Range 1375 - 1900m/s

Resolution 0.001m/s

Accuracy ± 0.020 m/s

Temperature

Range -5°C - $+35^{\circ}\text{C}$

Resolution 0.001 $^{\circ}\text{C}$

Accuracy $\pm 0.01^{\circ}\text{C}$

Pressure

Range 10, 20, 30, 50, 100, 200 & 300 Bar

Resolution 0.001% range

Accuracy $\pm 0.01\%$ range

Calculated Parameters and Accuracy

Calculations based on Valeport's proprietary DASH formula

Salinity ± 0.05 PSU

Density ± 0.05 kg/m³

Data Output

RS232 & RS485 output, selected by command code. RS232 data may be taken directly into a PC over cables up to 200m long, whereas RS485 is suitable for longer cables (up to 1000m) and allows for multiple addressed units on a single cable.

Sample rate 30Hz

Baud rate 19200 - 115200

Protocol 8 data bits, 1 stop bit, No parity, No flow control

Electrical

Voltage 8 - 30V DC Isolated

Power 0.35W

Connector SubConn MCBH6F

Physical

Depth Rating 3000m

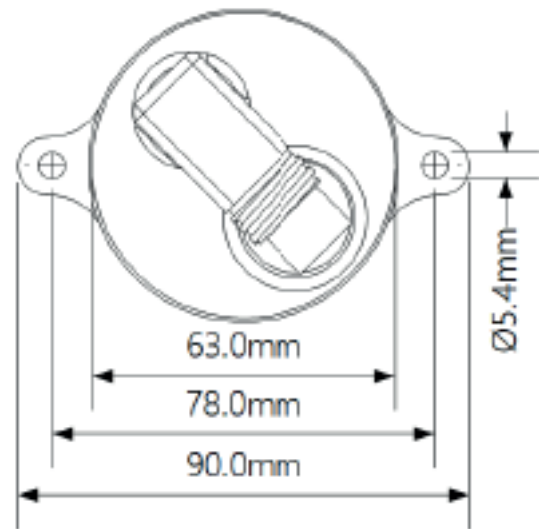
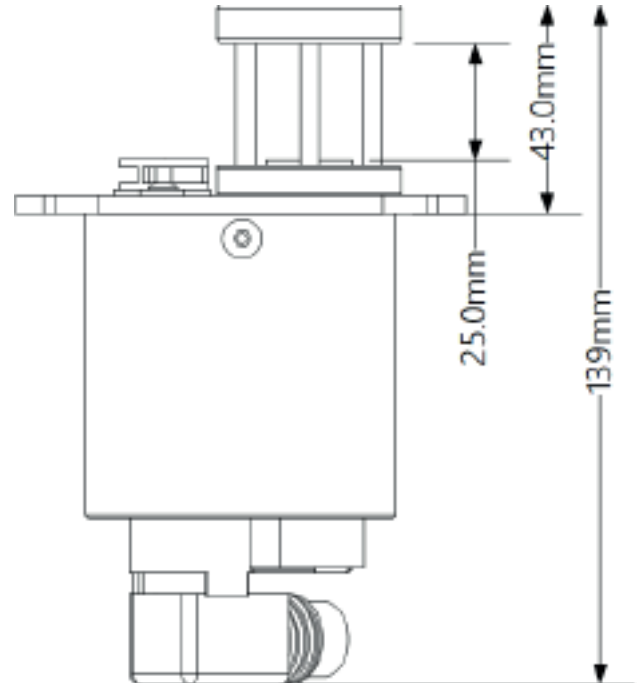
Weight 0.75 kg (in air)

Housing & Bulkhead Titanium

Ordering

06520549-XX Supplied with
· 0.5m interface cable
· Operation manual and transit case

Note **XX** denotes pressure transducer range.
Select from 10, 20, 30, 50, 100, 200 & 300 Bar



Datasheet Reference: UV-SVP | April 2020

As part of our policy of continuing development, Valeport Ltd. reserve the right to alter at any time, without notice, all prices, specifications, designs and conditions of sale of all equipment - Valeport Ltd © 2020

