

## LOW FREQUENCY ECHO SOUNDER / ALTIMETER KIT (ETHERNET COMMUNICATIONS)

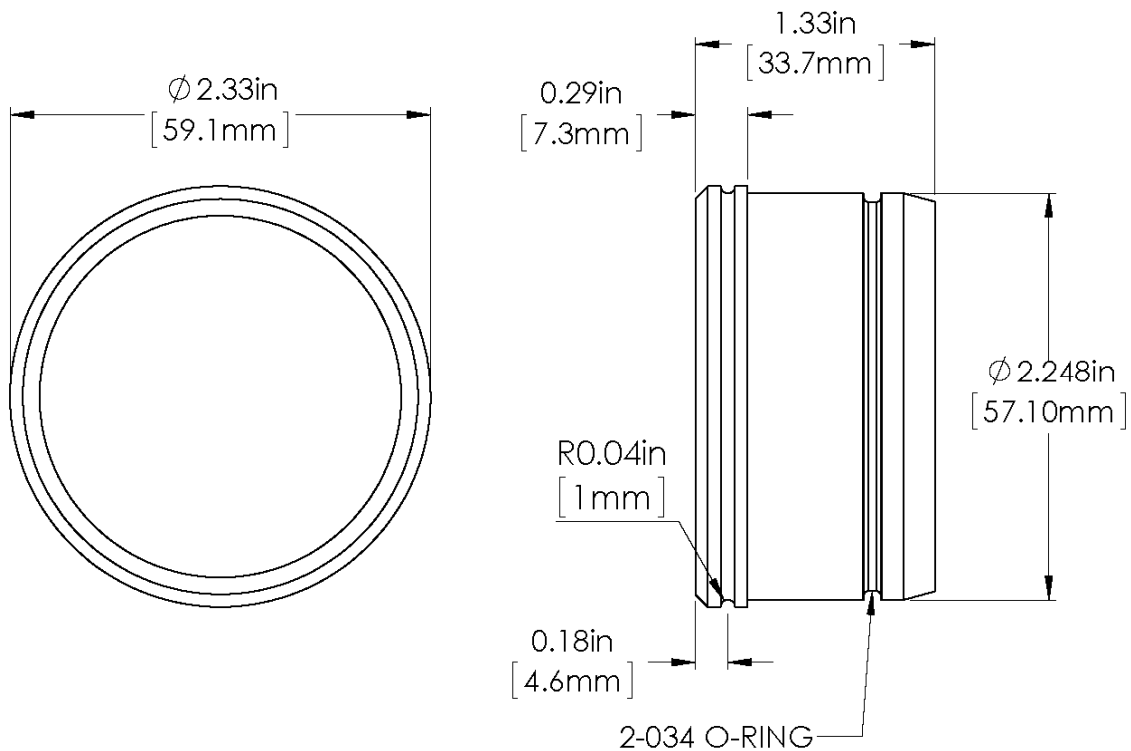


Shown with Narrow PCB option

<b>HARDWARE SPECIFICATIONS:</b>	
<b>INTERFACE</b>	Ethernet
<b>FREQUENCY</b>	120 kHz
<b>RANGE</b>	1 m – 300 m (3.3' – 985')
<b>TRANSDUCER</b>	Conical beam
<b>TRANSDUCER BEAM WIDTH</b>	20°
<b>TRANSMIT PULSE LENGTH</b>	1 millisecond
<b>RANGE RESOLUTION</b>	0.1% of range
<b>MIN. DETECTABLE RANGE</b>	80 cm (31.5")
<b>POWER SUPPLY</b>	Nominal 24 VDC (22 VDC – 33 VDC) at less than 2.5 Watts
<b>ELECTRONICS DIMENSIONS</b>	120.65 mm (4.75") x 120.65 mm (4.75") 111.76 mm (4.4") between mounting holes or <b>Narrow PCB Option:</b> 88.9 mm (3.5") x 165.1 mm (6.5") 81.28 mm (3.2"), 157.48 mm (6.2") between mounting holes
<b>TRANSDUCER DIMENSIONS</b>	See drawing on p. 2
<b>WEIGHT: In Air</b>	
<b>Transducer</b>	271 g (0.6 lbs)
<b>Electronics</b>	121 g (0.3 lbs)

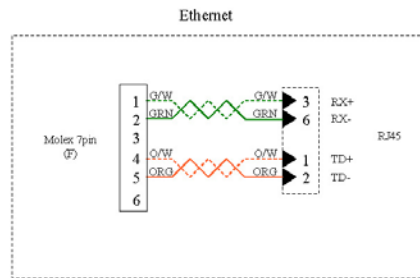
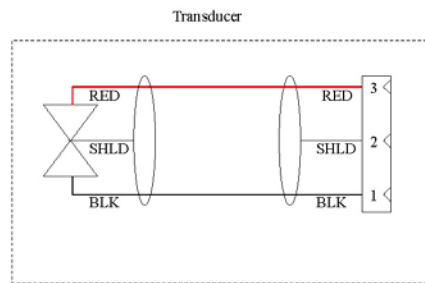
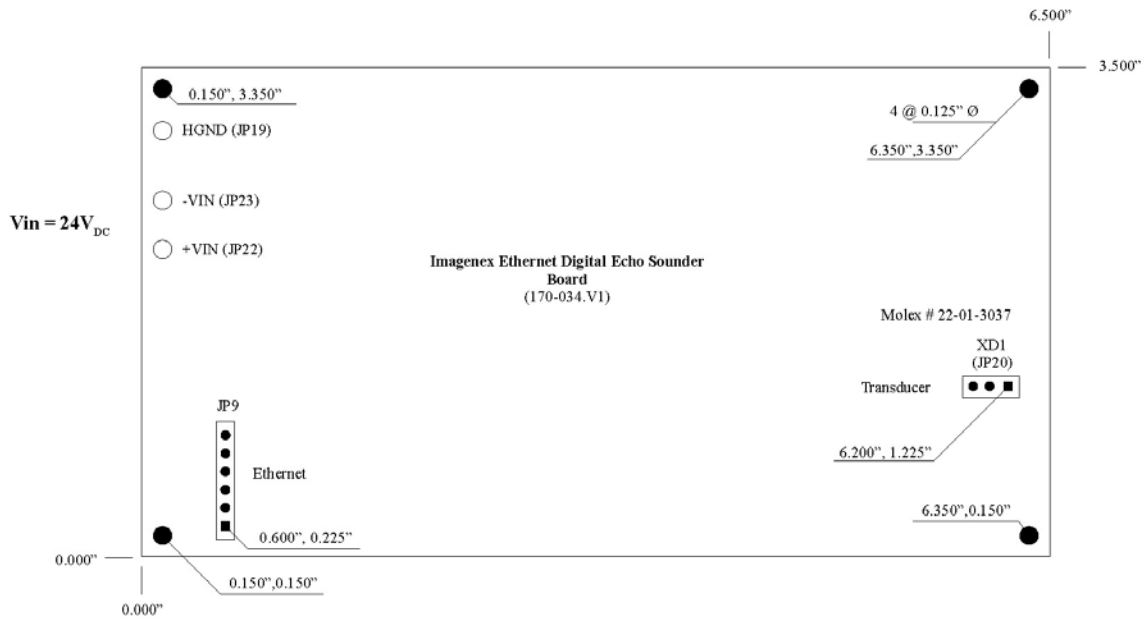
<b>SOFTWARE SPECIFICATIONS:</b>	<b>YellowFin_AUV_ES.exe</b>
<b>WINDOWS™ OPERATING SYSTEM</b>	Windows™ XP, Vista, 7, 8, 10
<b>RANGE SCALES</b>	10m, 20m, 30m, 40m, 50m, 60m, 80m, 100m, 150m, 200m, 250m, 300m
<b>FILE FORMAT</b>	(filename).872
<b>RECOMMENDED MINIMUM COMPUTER REQUIREMENTS:</b>	800MHz Pentium 3 256 MB RAM 2 GB Hard Disk 1024 x 768 x 256 colour graphics

<b>COMMUNICATIONS PROTOCOL SPECIFICATIONS:</b>	
<b>ETHERNET INTERFACE SPECIFICATION (v1.00)</b>	Filename: AUV Echo Sounder Board Ethernet Specification.pdf
<b>SOURCE CODE AVAILABLE FOR TESTING</b>	RecordData_AUV_ES.cpp

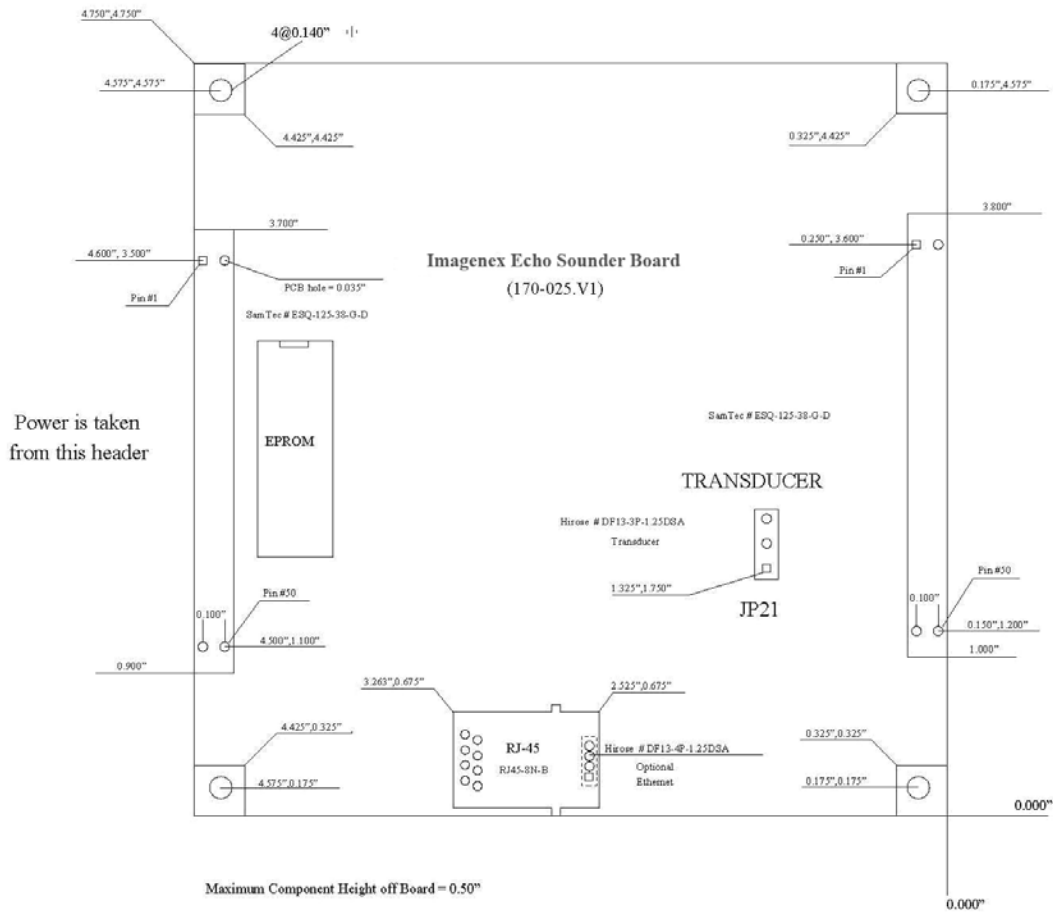


**TAE KWANG ELECTRONICS CORPORATION**  
5TH FLR., K-BLDG., 3, SANGAM-RO 41-GIL,  
GANGDONG-GU, SEOUL 05307, KOREA

**T** PHONE : 02 479 2703  
**F** FAX : 02 479 2705  
**E** e-mail : taekwang@tkec.co.kr  
**W** http://www.tkec.co.kr



Narrow PCB Option



<b>ORDERING INFORMATION:</b>		
<b>120 kHz UNIT</b>	Standard	896-000-200
IP Address*	Option	-020
Narrow PCB	Option	-040

\*Note: Standard IP Address is TBA  
 A different IP Address may be specified upon ordering.

Product and company names listed are trademarks or trade names of their respective companies.

**TAE KWANG ELECTRONICS CORPORATION**  
 5TH FLR., K-BLDG., 3, SANGAM-RO 41-GIL,  
 GANGDONG-GU, SEOUL 05307, KOREA

**T** PHONE : 02 479 2703  
**F** FAX : 02 479 2705  
**E** e-mail : taekwang@tkec.co.kr  
**W** http://www.tkec.co.kr