

# ISS360

## HIGH PERFORMANCE IMAGING SONAR



### FEATURES & BENEFITS

- > **90 METER RANGE**  
Long range imaging.
- > **6,000 & 4,000M DEPTH RATINGS**  
Ideal for Shallow and Deep Waters.
- > **PITCH & ROLL\***  
Provides Pitch and Roll to 0.2° accuracy.
- > **SMALL FORM FACTOR**  
Smallest Imaging Sonar available.
- > **BROADBAND TRANSDUCER**  
Excellent image quality & range.
- > **NO SLIP RINGS**  
No components to wear.

Impact Subsea are proud to present the world's most compact imaging sonar - the ISS360.

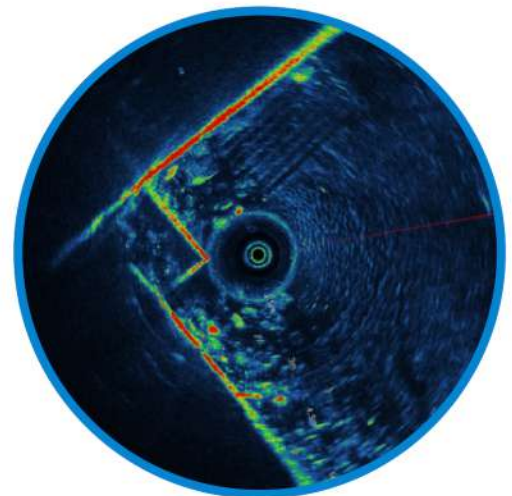
Optionally available with integrated Pitch & Roll.

Utilising a broadband composite transducer together with an advanced digital acoustic engine provides excellent range capability and image clarity.

For applications where Sonar Imaging, Pitch & Roll are required; all can be provided from a single device.

The use of Compressed High Intensity Radar Pulse (CHIRP) acoustic signalling enables a significant increase in range resolution while maintaining an excellent range capability.

Provided in a highly robust Titanium housing. The unit can be supplied without pitch and roll. Alternative configurations are available upon request.



### APPLICATIONS INCLUDE:

ROV & AUV Navigation | Target Identification | Diver Navigation |  
Port Surveillance | Motion Reference | Search & Recovery |

\*Optional





### ACOUSTIC

Frequency	700kHz Centre 600 to 900kHz Bandwidth
Range	0.15 to 90 meters (4,000m rated) 0.15 to 80 meters (6,000m rated)
Resolution	2.5mm (minimum)
Beam Angle	23° Vertical at 700kHz 2.2° Horizontal at 700kHz
Signalling <i>Selectable</i>	CHIRP & CW
Step Size <i>Selectable</i>	0.225°, 0.45°, 0.9°, 1.8°, 3.6° & 7.2°
Scan Angle	360° Continuous or Sector Scan

### COMMS & POWER

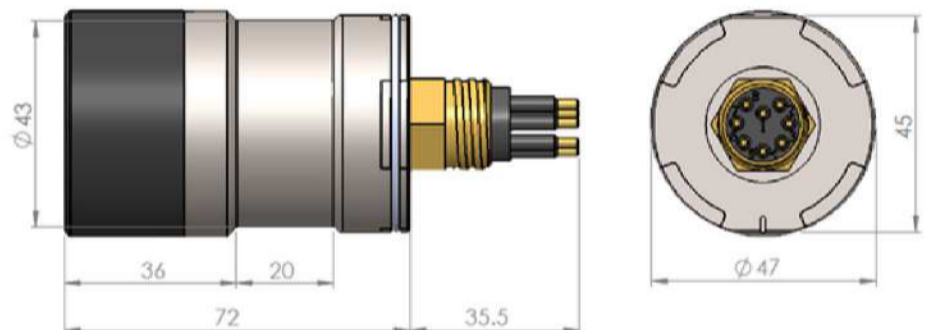
Digital	RS232, RS485 & Ethernet
Protocol	9600 to 115,200 baud
Input Voltage	12 to 65V DC
Power <i>Standby</i>	95mA @ 24V DC
Power <i>Scanning<sup>1</sup></i>	240mA @ 24V DC

### PHYSICAL

Depth Rating	4,000m & 6,000m
Temperature	-10 to 40°C Operating -20 to 60°C Storage
Connector	Subconn MCBH8M-SS <i>Other options available</i>
Weight <i>Air/Fresh water</i>	0.38/0.3kg (4,000m) 0.37/0.3kg (6,000m)

### ATTITUDE\*

Pitch	± 90°
Roll	± 180°
Accuracy	0.2°
Resolution	0.1°



*Dimensions given in mm.*

\*Optional

<sup>1</sup> Based on maximum power level and scanning speed.