

## IMAGENEX MODEL 965 MULTIBEAM IMAGING SONAR

### APPLICATIONS:

- ROV, AUV, & UUV
- Offshore Oil & Gas
- Sunken Timber Recovery
- Diving Support
- Surveying
- Search & Recovery
- Inspection
- Underwater Archaeology
- Scientific Research
- Harbour Surveillance

### FEATURES:

- Built-in tilt drive electronics
- Enhanced vertical scan capabilities
- High speed
- Ethernet (10/100 Mbps)
- Programmable
- Simple set-up and installation
- 1.25 m to 200 m range scales
- Integrated Video Capture and Display
- User programmable IP address

The Imagenex Model 965 is an advanced, high-speed, high-resolution, multibeam imaging sonar system that has been designed to provide simple, reliable, and accurate representation of underwater images.

The system consists of an underwater sonar head and an optional tilt motor assembly (recommended) connected by Ethernet to a Windows™ based computer.

The Model 965 includes circuitry which permits the attachment of an optional tilt motor assembly. As a recommended option, this drive, which allows for real time vertical angular adjustment of the sonar, enables the operator to adjust the vertical scan angle from +10° to -90° in 5° increments. This permits the operator to tilt the sonar down towards the target as it approaches.



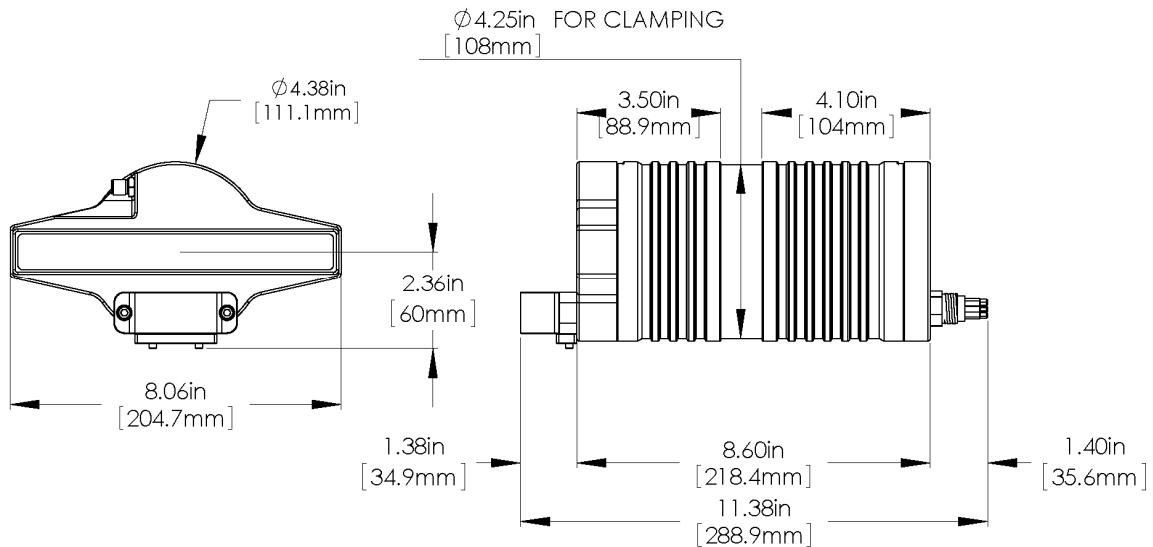
<b>HARDWARE SPECIFICATIONS:</b>	
<b>FREQUENCY</b>	260 kHz or Optional 675 kHz
<b>TRANSDUCER BEAM WIDTH (nominal)</b>	Receive: 120° (horizontal) x 20° (vertical) Transmit: 120° (horizontal) x 20° (vertical)
<b>EFFECTIVE HORIZONTAL BEAM WIDTH</b>	1.5°
<b>BEAMS*</b>	120, 240, 480
<b>RANGE RESOLUTION</b>	0.2% of range
<b>MIN. DETECTABLE RANGE</b>	0.5 m
<b>MAX. OPERATING DEPTH</b>	300 m
<b>FRAME RATE</b>	Up to 10 fps
<b>INTERFACE TO PC</b>	Standard: 10/100 Mbps Ethernet (10 BASE-T or 100 BASE-TX) using TCP/IP Bit rate may vary if an Ethernet extender is in use**.
<b>MAX. CABLE LENGTH</b>	Standard: 100 m on CAT5e Cable length may be increased up to ~9000 m using an Ethernet extender**. Please enquire for more information.
<b>CONNECTOR</b>	End mounted, 8 conductor, wet mateable (Subconn MCBH8M-AS)
<b>POWER SUPPLY</b>	22 – 32 VDC at less than 20 Watts Optional 36 – 60 VDC
<b>DIMENSIONS</b>	See drawing
<b>WEIGHT: In Air</b>	<b>260 kHz</b> With Tilt: 10.5 lbs (4.8 kg) Without Tilt: 4.5 lbs (~2 kg) <b>675 kHz</b> TBA
<b>In Water</b>	<b>260 kHz</b> With Tilt: 3.7 lbs (1.7 kg) Without Tilt: ~0.2 lbs (0.07 kg) <b>675 kHz</b> TBA
<b>MATERIALS</b>	6061-T6 Aluminum, Epoxy, PVC, Aluminum connector
<b>FINISH</b>	Hard Anodize

\*Data is acquired at full resolution every shot; processing the data for screen display on a PC can slow the system at highest number of beams. 120 beam mode is recommended for real time data acquisition. The data can then be played back at highest resolution (480 beam).

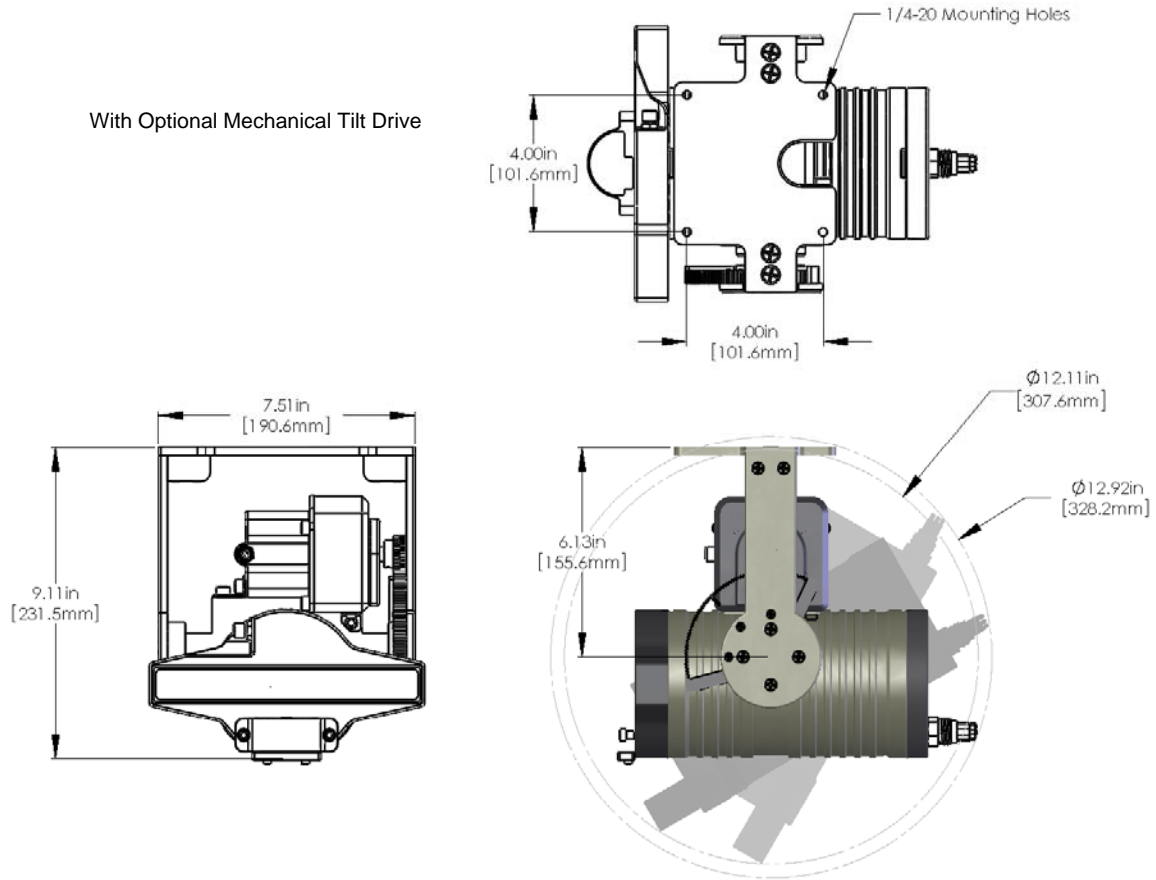
\*\*Only for 10 BASE-T

<b>MECHANICAL TILT DRIVE SPECIFICATIONS:</b>	<b>(Optional)</b>
<b>SCAN ANGLE</b>	+10° to -90° in 5° increments
<b>STEPPER MOTOR DRIVE</b>	Self-calibrating
<b>POWER</b>	Less than 10 Watts (supplied from sonar head electronics)
<b>CONNECTOR</b>	IE55 series
<b>WEIGHT: In Air</b>	TBA
<b>In Water</b>	TBA
<b>MATERIALS</b>	6061-T6 Aluminum, PVC, Delrin, Stainless Steel
<b>FINISH</b>	Hard Anodize

<b>SOFTWARE SPECIFICATIONS:</b>	<b>Win965.exe</b>
<b>WINDOWS™ OPERATING SYSTEM</b>	Windows™ XP, Vista, 7
<b>DISPLAY MODES</b>	Sector, Linear, Perspective, Profile, Beam Test
<b>PERSISTENCE (TRAIL)</b>	1 – 300 seconds
<b>RANGE SCALES</b>	<b>260 kHz</b> 1.25 m, 2.5 m, 5 m, 10 m, 20 m, 30 m, 40 m, 50 m, 60 m, 80 m, 100 m, 150 m, 200 m
	<b>675 kHz</b> 1.25 m, 2.5 m, 5 m, 10 m, 20 m, 30 m, 40 m, 50 m, 60 m
<b>SECTOR SIZES</b>	30°, 60°, 90°, 120°
<b>FILE FORMAT</b>	(filename).965
<b>RECOMMENDED MINIMUM COMPUTER REQUIREMENTS:</b>	2 GHz Pentium 4 256 MB RAM 20 GB Hard Disk 1024 x 768 screen resolution



With Optional Mechanical Tilt Drive



<b>ORDERING INFORMATION:</b>		
<b>300 m UNIT</b>	Standard	965-000-100
Right Angle Connector	Option	-010
IP Address*	Option	-020
675 kHz	Option	-022
Mechanical Tilt Drive	Option	-042

\*Note: Standard IP Address is 192.168.0.2  
A different IP Address may be specified upon ordering.

Product and company names listed are trademarks or trade names of their respective companies.

**TAE KWANG ELECTRONICS CORPORATION**  
5TH FLR., K-BLDG., 35-26,  
CHONHO 1-DONG, KANGDONG-KU,  
SEOUL 134 - 861, KOREA

**T** PHONE : 02 479 2703  
**F** FAX : 02 479 2705  
**E** e-mail : taekwang@nuri.net  
**W** http://www.tkec.co.kr