

IMAGENEX MODEL 837 DELTA T AZIMUTH DRIVE

APPLICATIONS:

- 3D Precision Surveying
- Sediment Transport Research
- Marine Geology
- Scientific Research

FEATURES:

- Programmable
- Continuous Rotation
- Internal Pitch, Roll, & Heading Sensor
- Suitable for Autonomous or Remote Deployment



Imagenex Model 837B Profiling Sonar
(Model 837B-000-431) not included

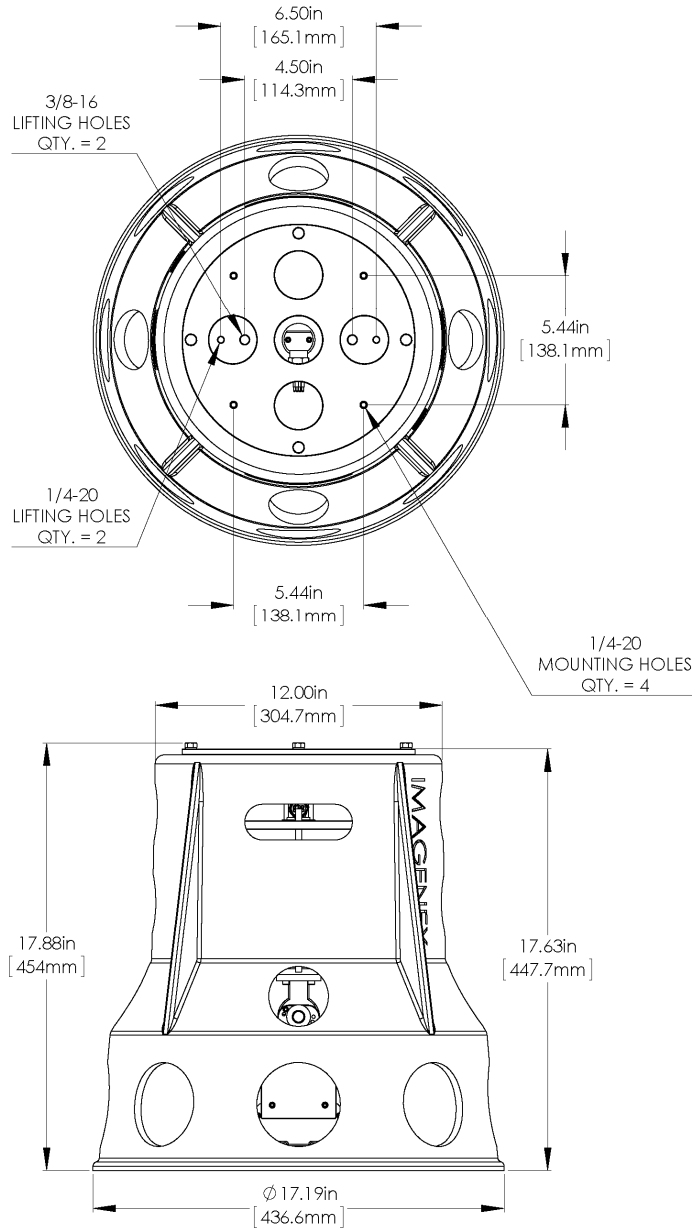


Shown with optional
P/U Protective Cover

The Model 837 Delta T Azimuth Drive is a rugged and powerful rotary actuator drive that can be coupled to an Imagenex Model 837 or 837B Delta T Multibeam Profiling Sonar. The two axes of rotation in this combined unit provide the capability to obtain accurate, high resolution range information in any direction. In standard applications, profiles may be made in any direction by simply commanding the Azimuth Drive to rotate the attached profiling sonar anywhere in a circle. The profiling sonar can then perform a cross-sectional scan before being rotated to a new azimuth angle. The Azimuth Drive uses the same Ethernet communications line and command structure as the Delta T head. A single, simple to use PC compatible computer program operates both.

HARDWARE SPECIFICATIONS:	
MAX. OPERATING DEPTH	300 m and 2000 m available
MAX. CABLE LENGTH	Standard: 100 m on CAT5e Cable length may be increased up to ~9000 m using an Ethernet extender. Please enquire for more information.
INTERFACE TO PC	Standard: 10 Mbps Ethernet (10 BASE-T) using TCP/IP Bit rate may vary if an Ethernet extender is in use.
CONNECTOR	Right angle, end mounted, 8 conductor, wet mateable (Subconn MCBH8M-AS or MCBH8M-Ti)
STANDARD ACCESSORIES	Azimuth Drive to Sonar Head Interconnect Cable
POWER SUPPLY	22 – 32 VDC at 1 Amp max.
DIMENSIONS	See drawing Contact Imagenex for unit dimensions without P/U cover
WEIGHT: In Air	300 m unit: TBA 2000 m unit: TBA
In Water	300 m unit: TBA 2000 m unit: TBA
MATERIALS	300 m unit: 6061-T6 Aluminum & 300 Series Stainless Steel 2000 m unit: Gr. 2 Titanium
FINISH	Hard Anodize (No finish for 2000 m unit)

SOFTWARE SPECIFICATIONS:	DeltaT_Azimuth.exe
WINDOWS™ OPERATING SYSTEM	Windows™ XP, Vista, 7, 8, 10
AZIMUTH ANGLE	0° – 359.7°, 0.3° increments
FILE FORMAT	(filename).837, (filename).xyz, (filename).83a
RECOMMENDED MINIMUM COMPUTER REQUIREMENTS:	2 GHz Pentium 4 256 MB RAM 20 GB Hard Disk 1024 x 768 screen resolution



ORDERING INFORMATION:		
300 m UNIT	Standard	837-000-450
2000 m UNIT	Standard	837-000-451
IP Address*	Option	-020
P/U Protective Cover	Option	-036
Patton Ethernet Extender	Option	-037

*Note: Standard IP Address is 192.168.0.59
A different IP Address may be specified upon ordering.

Product and company names listed are trademarks or trade names of their respective companies.

TAE KWANG ELECTRONICS CORPORATION
5TH FLR., K-BLDG., 3, SANGAM-RO 41-GIL,
GANGDONG-GU, SEOUL 05307, KOREA

T PHONE : 02 479 2703
F FAX : 02 479 2705
E e-mail : taekwang@tkec.co.kr
W http://www.tkec.co.kr