



837B Delta T 120 kHz Profiling
445-074 JANUARY 2011-REVISED MAY 2017

IMAGENEX MODEL 837B "Delta T" 120 kHz 120° x 2.5° MULTIBEAM SONAR

APPLICATIONS:

- ROV, AUV, & UUV
- Offshore Oil & Gas
- Sunken Timber Recovery
- Diving Support
- Surveying
- Search & Recovery
- Inspection
- Underwater Archaeology
- Scientific Research

FEATURES:

- Programmable
- High speed
- High performance
- Lower cost
- Low power
- Simple set-up and installation
- Ethernet
- 5 m to 300 m range
- Integrated Video Capture and Display
- Built in GPS Track Plotter

The Imagenex Model 837B "Delta T" 120 kHz is a high resolution multiple receiver sonar system run from a laptop or industrial PC computer. In this model, the acoustic array is designed to provide detection over a 120° x 2.5° field of view for bottom profiling applications. The 2.5° field of view is also applicable to obstacle avoidance in near-bottom applications where the narrow vertical extent of the beam reduces false obstacle detection. A 120 kHz acoustic frequency has been selected to provide detection up to 300 m range. Image update rates are up to 20 times per second at short range and more than 5 times per second at 100 m range. The stainless steel housing provides a 1000 m depth rating for compatibility with ROV and AUV applications.

The provided software includes innovative digital signal processing to optimize data usage from all channels to achieve the best possible resolution at every point in the field of view. Recent advances in PC computing power have made it possible to transfer this data over a standard 10 BASE-T Ethernet connection and process it at resolutions equal to computer monitor resolution. Software is also available to store the data with a low power computer for processing into extremely high resolution images after uploading to a desktop PC.

The Delta T system has been designed from the ground up with the most advanced low power electronic components available to provide breakthroughs in system power consumption and package size. There is no expensive and bulky surface control box, so integration into ROV and AUV systems is simplified, and the cost is significantly less than other systems of similar capabilities.



Imagenex sonars: advancing underwater imaging capability for the everyday user. Patent Pending

TAE KWANG ELECTRONICS CORPORATION
5TH FLR., K-BLDG., 3, SANGAM-RO 41-GIL,
GANGDONG-GU, SEOUL 05307, KOREA

T PHONE : 02 479 2703
F FAX : 02 479 2705
E e-mail : taekwang@tkec.co.kr
W http://www.tkec.co.kr

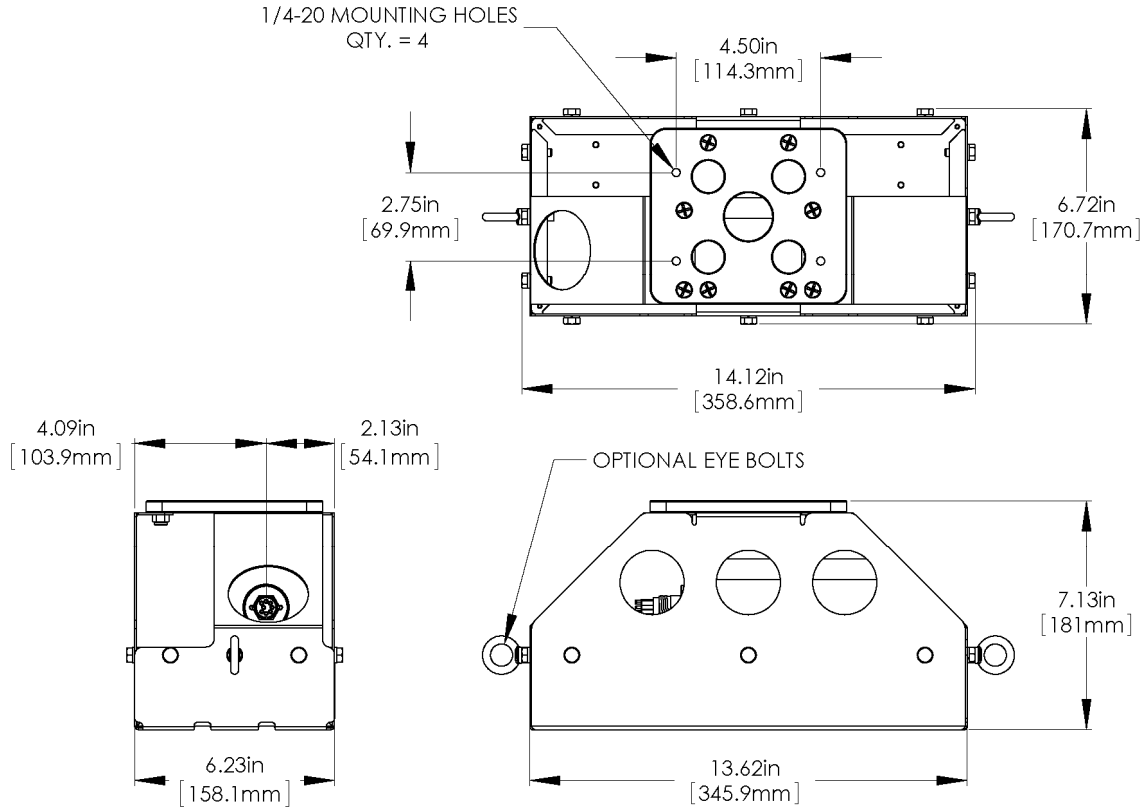
HARDWARE SPECIFICATIONS:	
FREQUENCY	120 kHz
TRANSDUCER BEAM WIDTH (nominal)	Receive: 120° (horizontal) x 2.5° (vertical) Transmit: 120° (horizontal) x 2.5° (vertical)
EFFECTIVE BEAM WIDTH	3°, 1.5°, 0.75°
BEAMS*	120, 240, 480
RANGE RESOLUTION: SCREEN OUTPUT	0.2% of range 0.02% of range
MIN. DETECTABLE RANGE	0.5 m
MAX. OPERATING DEPTH	1000 m
INTERFACE TO PC	Standard: 10 Mbps Ethernet (10 BASE-T) using TCP/IP Bit rate may vary if an Ethernet extender is in use.
MAX. CABLE LENGTH	Standard: 100 m on CAT5e Cable length may be increased up to ~9000 m using an Ethernet extender. Please enquire for more information.
CONNECTOR	End mounted, 8 conductor, wet mateable (Subconn MCBH8M-SS or MCBH8M-AS)
POWER SUPPLY	22 – 32 VDC at less than 5 Watts
DIMENSIONS	See drawing
WEIGHT: In Air	Stainless Steel: ~21 kg (~46 lbs) Aluminum: ~11.4 kg (~25 lbs)
In Water	Stainless Steel: TBA Aluminum: ~6.8 kg (~15 lbs)
MATERIALS	Stainless Steel: 316 Stainless Steel, Epoxy, PVC, Stainless Steel connector Aluminum: 6061-T6 Aluminum, Epoxy, PVC, Aluminum connector

*Data is acquired at full resolution every shot: processing the data for screen display on a PC can slow the system at highest number of beams. 120 beam mode is recommended for real time data acquisition. The data can then be played back at highest resolution (480 beam).

SOFTWARE SPECIFICATIONS:	DeltaT.exe
WINDOWS™ OPERATING SYSTEM	Windows™ XP, Vista, 7, 8, 10
DISPLAY MODES	Sector, Linear, Perspective, Profile, Beam Test
PERSISTENCE (TRAIL)	1 – 300 seconds
RANGE SCALES	5 m, 10 m, 20 m, 30 m, 40 m, 50 m, 60 m, 80 m, 100 m, 150 m, 200 m, 250 m, 300 m
SECTOR SIZES	30°, 60°, 90°, 120°
FILE FORMAT: RAW DATA PROFILE POINT	(filename).837 (filename).83P
RECOMMENDED MINIMUM COMPUTER REQUIREMENTS:	2 GHz Pentium 4 256 MB RAM 20 GB Hard Disk 1024 x 768 screen resolution

TAE KWANG ELECTRONICS CORPORATION
5TH FLR., K-BLDG., 3, SANGAM-RO 41-GIL,
GANGDONG-GU, SEOUL 05307, KOREA

T PHONE : 02 479 2703
F FAX : 02 479 2705
E e-mail : taekwang@tkec.co.kr
W http://www.tkec.co.kr



ORDERING INFORMATION:		
1000 m UNIT Stainless Steel	Standard	837B-000-445
1000 m UNIT Aluminum	Standard	837B-000-447
IP Address*	Option	-020
External Trigger	Option	-023
Pitch, Roll, & Heading Sensor	Option	-029

*Note: Standard IP Address is 192.168.0.2
A different IP Address may be specified upon ordering.

Product and company names listed are trademarks or trade names of their respective companies.

TAE KWANG ELECTRONICS CORPORATION
5TH FLR., K-BLDG., 3, SANGAM-RO 41-GIL,
GANGDONG-GU, SEOUL 05307, KOREA

T PHONE : 02 479 2703
F FAX : 02 479 2705
E e-mail : taekwang@tkec.co.kr
W http://www.tkec.co.kr